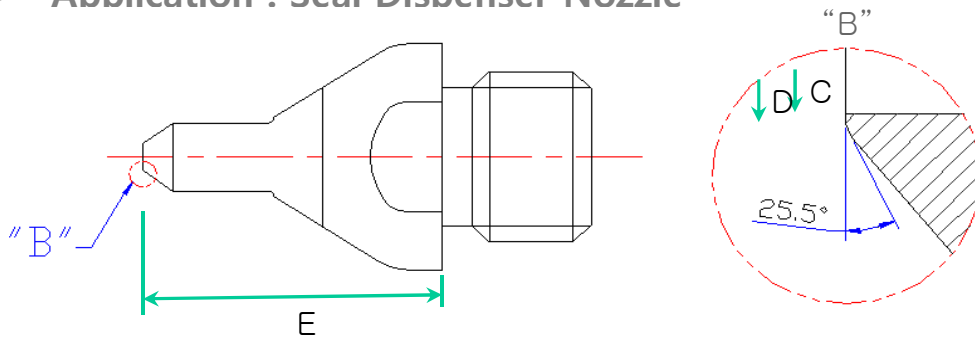


LCD Nozzle(PCD)

- Features
 - Precise Allowance
 - Long Life
 - Corrosion Resistant
- Material : PCD + SUS
- Standard Size : $\Phi 0.2 \sim \Phi 0.45$ (user define)
- Application : Seal Dispenser Nozzle



LCD Nozzle Shape

	기준 치수	가공 치수
C	Dia. 0.4 +0.005	Dia. 0.402
D	Min Dia. 0.45 Max Dia. 0.46	Dia. ?
E	L 5.0 +-0.01	L 5.025

